

Keysight Technologies

P9400A/C

Solid State PIN Diode Transfer Switches

P9400A 100 MHz to 8 GHz PIN transfer switch

P9400C 100 MHz to 18 GHz PIN transfer switch

Technical Overview



Key Features

- Minimize crosstalk with exceptionally high port-to-port isolation of > 80 dB
- Increase test setup flexibility with a broad operating frequency range
- Increase throughput effectively with high-speed switching time of < 200 ns
- Optimize system dynamic range with low insertion loss
- Eliminate the need for external drivers with integrated TTL-compatible driver

Description

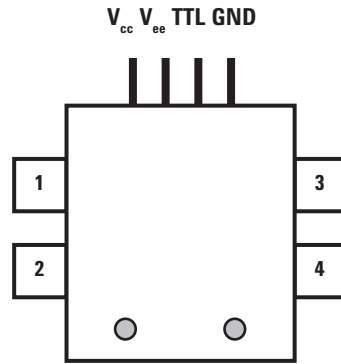
The Keysight Technologies, Inc. P9400A/C solid state PIN diode transfer switches offer outstanding performance in isolation, insertion loss and return loss across a broad operating frequency range. Based on PIN diode technology, P9400A/C fit exceptionally well into ultra-fast RF and microwave switching applications in instrumentation, communications, radar, switch matrices and various other test systems where speed and lifetime of a switch are critical.

A PIN diode switch IC and multiple shunt PIN diodes on the RF path of the P9400A/C ensure unmatched isolation performance between ports. Keysight's careful selection of the PIN diodes provides accurate low frequency measurements down to 100 MHz, while maintaining superb performance up to 8 GHz (P9400A) and 18 GHz (P9400C).

P9400A/C have an integrated TTL-compatible driver for easy operation. These transfer switches increase system flexibility and are useful in systems where superior RF performance switches is critical.

Applications

Keysight P9400A/C solid state transfer switches can be utilized in numerous ways to enhance system flexibility and simplicity. The following are five examples of how the P9400A/C switches can be used: as a drop-out switch, as an SPDT switch, for signal reversal, to bypass an active device, and to switch between multiple equipment to multiple DUTs.



Logic Control	Port 1 to Port 2 Port 3 to Port 4	Port 1 to Port 3 Port 2 to Port 4
TTL HIGH	Low Loss	High Isolation
TTL LOW	High Isolation	Low Loss

Figure 1. Driving the switch

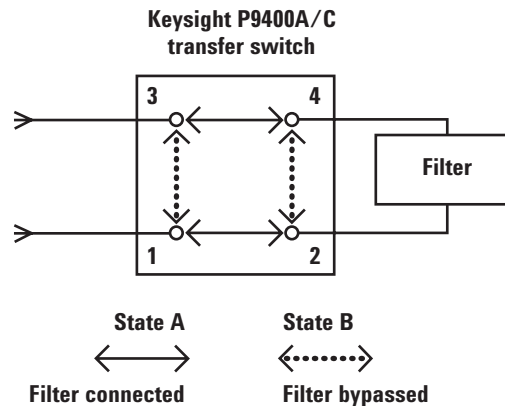


Figure 2. The Keysight P9400A/C as a drop-out switch

The P9400A/C can be used as a simple drop-out switch where a signal is either run through the device or straight through the switch bypassing the device.

By attaching an external termination, you can use the P9400A/C in an SPDT terminated switch configuration.

In the signal reversal configuration, a device can be connected across two diagonal ports of the P9400A/C transfer switch. This will allow the signal direction through the device to be reversed.

In Figure 5, an active device, such as an amplifier, is inserted into a signal path. This presents a unique problem. A single transfer switch has the undesirable characteristic of shorting the output of the amplifier to its input when the signal is bypassing the amplifier. Two transfer switches

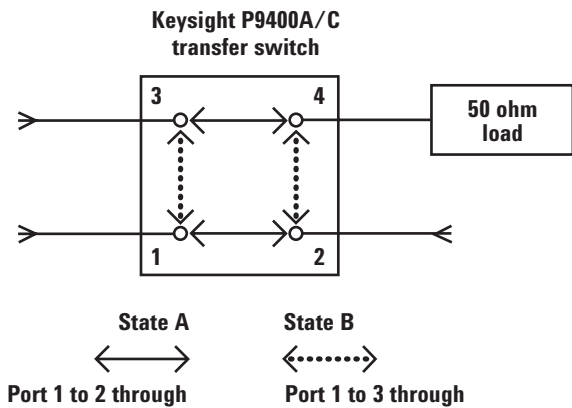


Figure 3. The Keysight P9400A/C configured as an SPDT switch

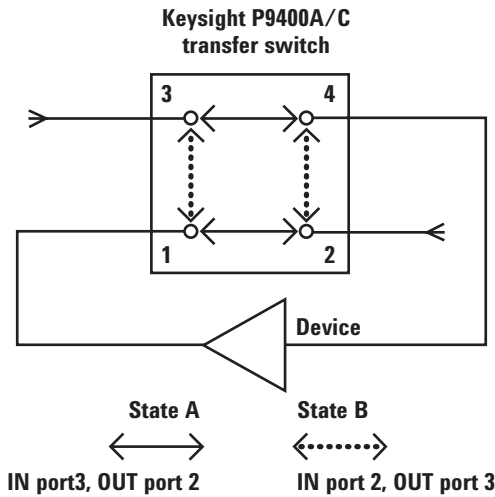


Figure 4. The Keysight P9400A/C in a signal reversal application

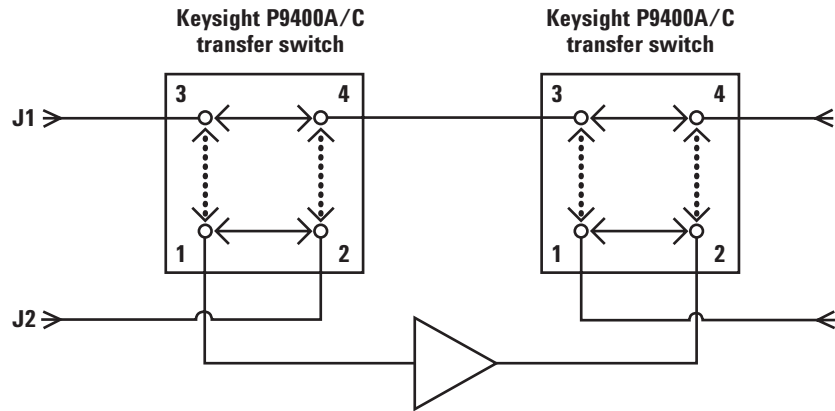


Figure 5. The Keysight P9400A/C used to bypass an active device

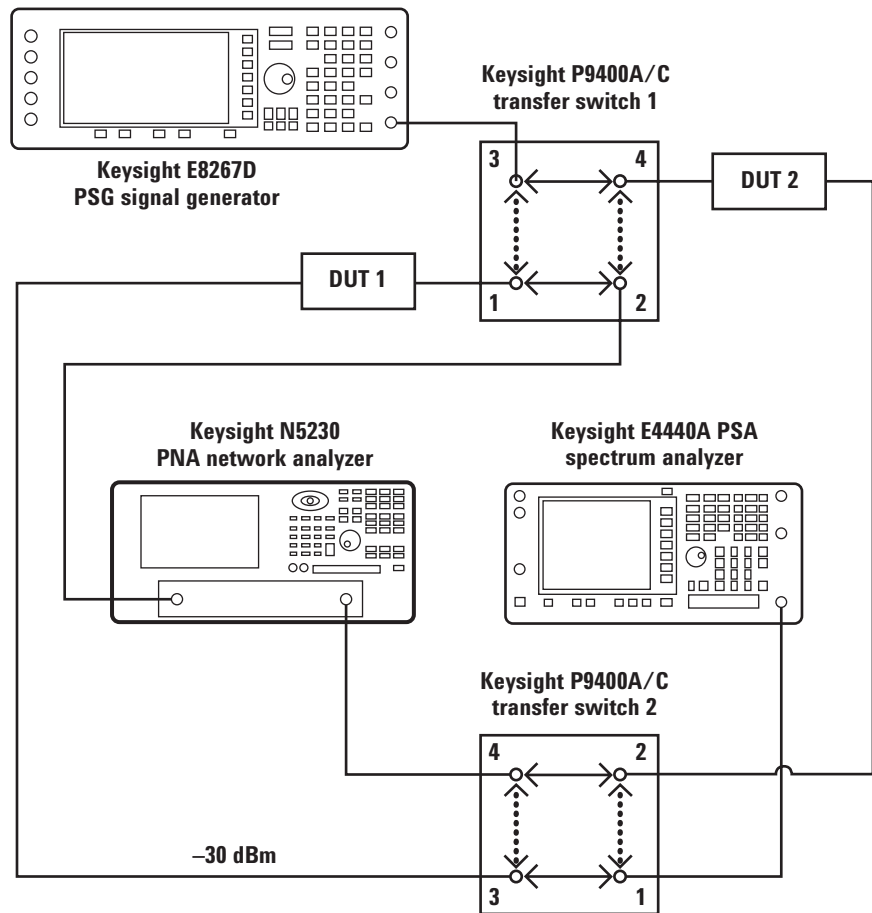
are used in this example instead of two SPDT switches, which can serve the similar purpose. However by using two transfer switches, an additional signal path is always simultaneously available.

Figure 6 shows an example of a configuration of transfer switches that tests two DUTs simultaneously, each through different sets of equipment targeting distinctive measurement parameters.

DUT 1 is tested for S-parameters using a network analyzer, while DUT 2 is tested on harmonics and spurious signals using a signal generator and spectrum analyzer. Examples of devices that can be conveniently tested this way include: amplifiers, mixers and receivers. With only one TTL control input that controls both switches' control pin, both tests can be run simultaneously and efficiently on both DUTs. This type of usage will increase throughput and simplify your test system.

Besides being versatile, P9400A/C switch's outstanding isolation is evidently portrayed in this application example. Assume that the transmitted power coming out from DUT 1 is -30 dBm. At the same time, DUT 2 is tested on spurious signal, which might be measured to a value as low as -100 dBm or more. This requires switch #2 to have an isolation of more than -100 dBm $- (-30$ dBm) = -70 dB, which is fulfilled by the isolation performance of P9400A/C.

This is only one of the countless measurement uncertainties that need careful attention. You do not want your system's accuracy to be impaired by switches with low or even moderate isolation performance. Nor do you want to waste extra time calculating for the uncertainties which always lead to even more complexities due to the precise timing required in the ever-increasing speed of switching and testing.



Control input	State	DUT 1 connected to	DUT 2 connected to	Tests
High	↔	Network analyzer	Network analyzer	S-parameter
Low	←.....→	Spectrum analyzer and signal generator	Spectrum analyzer and signal generator	Spurious signal, harmonics

Figure 6. Switching and testing two DUTs between two different test sets of equipment simultaneously

Specifications

Specifications refer to the performance standards or limits against which the solid state switches are tested.

Typical characteristics are included for additional information only and they are not specifications. These are denoted as “typical”, “nominal” or “approximate” and are printed in italic.

RF Specifications

Model	P9400A	P9400C
Frequency range	100 MHz to 8 GHz	100 MHz to 18 GHz
Insertion loss	< 3 dB (100 MHz to 4 GHz) < 3.5 dB (4 GHz to 8 GHz)	< 3.5 dB (100 MHz to 8 GHz) < 4.2 dB (8 to 18 GHz)
Isolation	> 80 dB	> 80 dB
Return loss (ON Ports)	> 15 dB	> 10 dB
Switching speed 1	< 200 ns (typical)	< 200 ns (typical)
Video leakage	0.6 Vpp (typical)	0.6 Vpp (typical)
Characteristic impedance	50 Ω (nominal)	50 Ω (nominal)
Connectors	SMA (f)	SMA (f)

1. Switching speed is based on 50% TTL to 90% RF (ON time) or 50%TTL to 10%RF (OFF time)

Absolute Maximum Ratings²

Parameters	P9400A/C	
	MIN	MAX
RF input power (average)	–	+23 dBm
V_{cc}	-0.5 V	6 V
V_{ee}	-6 V	0 V
TTL Control Input	-0.5 V	($V_{cc}+0.5$) V

2. Operation in excess of any one of these may result in permanent damage to the products.

DC Operating Range³

Parameters	P9400A/C	
	MIN	MAX
V_{cc}	4.5 V	5.5 V
V_{ee}	-5.5 V	-4.5 V
Control Input (TTL) HIGH	2.4 V	V_{cc}
Control Input (TTL) LOW	-0.5 V	0.8 V

3. Recommended parameters for optimum RF performance

Typical DC Power Consumption

	MIN	TYPICAL	MAX
V_{cc}	0.24 W	0.30 W	0.38 W
V_{ee}	0.15 W	0.19 W	0.23 W

Environmental Specifications

The P9400A/C solid state switches are designed to fully comply with Keysight Technologies' product operating environment specifications. The following summarizes the environmental specifications for these products.

Temperature	
Operating	-40 °C to +85 °C
Storage	-65 °C to +125 °C
Cycling	-65 °C to +150 °C, 10 cycles @ 20 °C per minute ramp rate, 20 minutes dwell time per MIL-STD-833F, Method 1010.8, Condition C (modified)
Humidity	
Operating	50% to 95% RH @ 40 °C, one 24 hour cycle, repeated 5 times
Storage	< 90% RH @ 65 °C, 24 hours
Shock	
Half-sine, smoothed	1000 G @ 0.5 ms, 3 shock pulses per orientation, 18 total per MIL-STD-833F, Method 2002.4, Condition B (modified)
Vibration	
Broadband random	50 to 2000 Hz, 7.0 G rms, 15 minutes, per MIL-STD-833F, Method 2026-1 (modified)
Altitude	
Storage	< 15,300 meters (50,000 feet)
ESD Immunity	
Direct discharge	2 kV per IEC 61000-4-2
Air discharge	4 kV per IEC 61000-4-2

Mechanical Dimensions

Dimensions are in mm (inches) nominal, unless otherwise specified.

	P9400A	P9400C
Length, mm (inches)	46.2 (1.82)	46.2 (1.82)
Width, mm (inches)	43.4 (1.71)	43.4 (1.71)
Net weight, kg (lb)	0.07 (0.154)	0.07 (0.154)

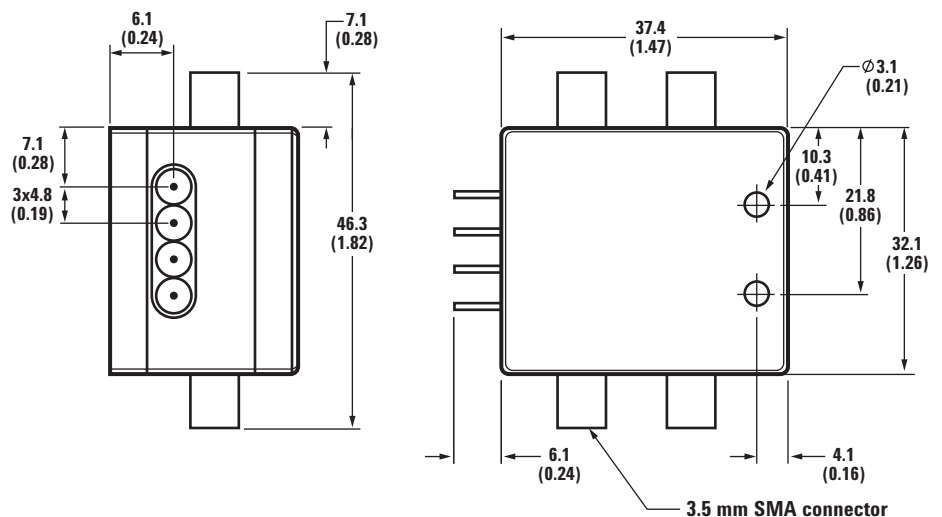


Figure 7. P9400A/C mechanical dimensions

Typical Performance

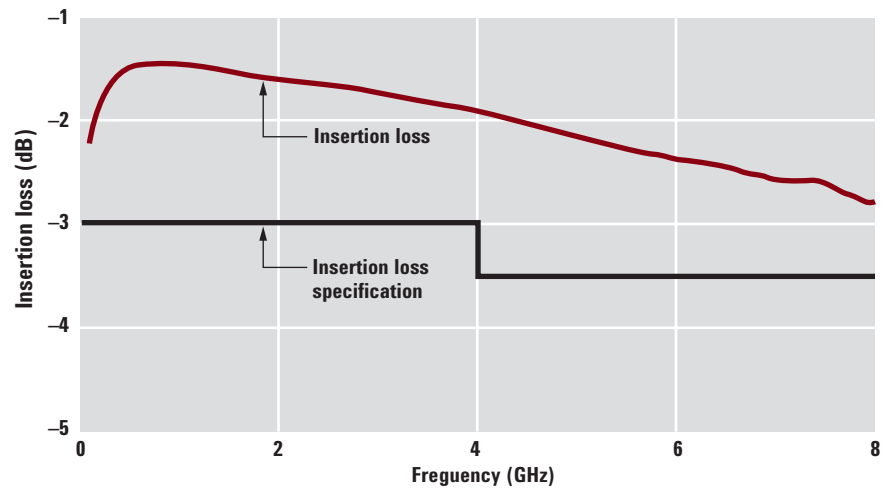


Figure 8. P9400A insertion loss versus frequency (typical)

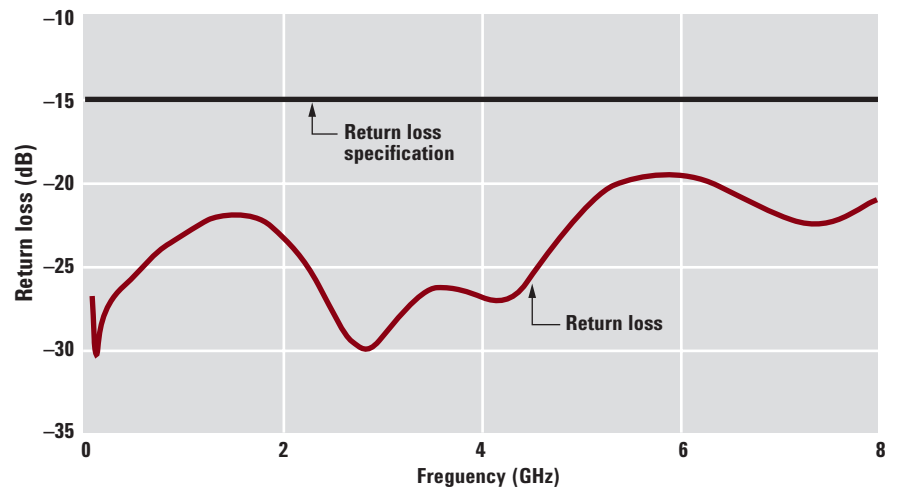


Figure 9. P9400A return loss versus frequency (typical)

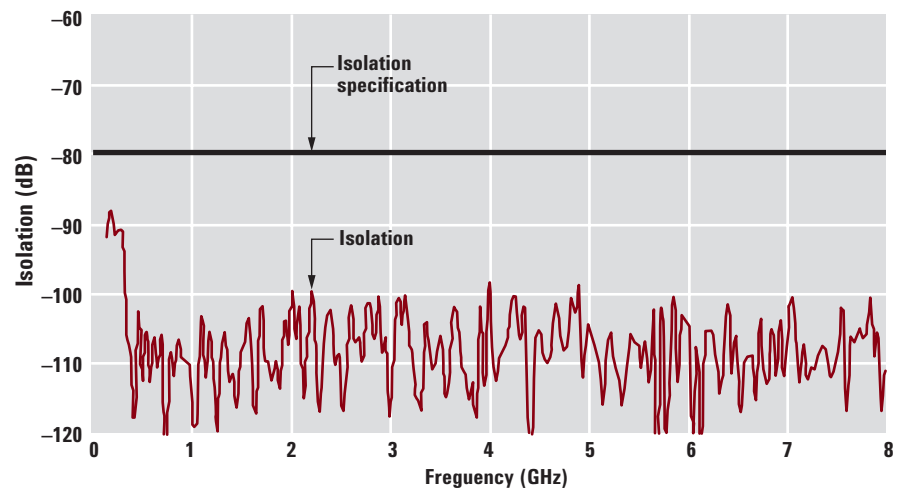


Figure 10. P9400A isolation versus frequency (typical)

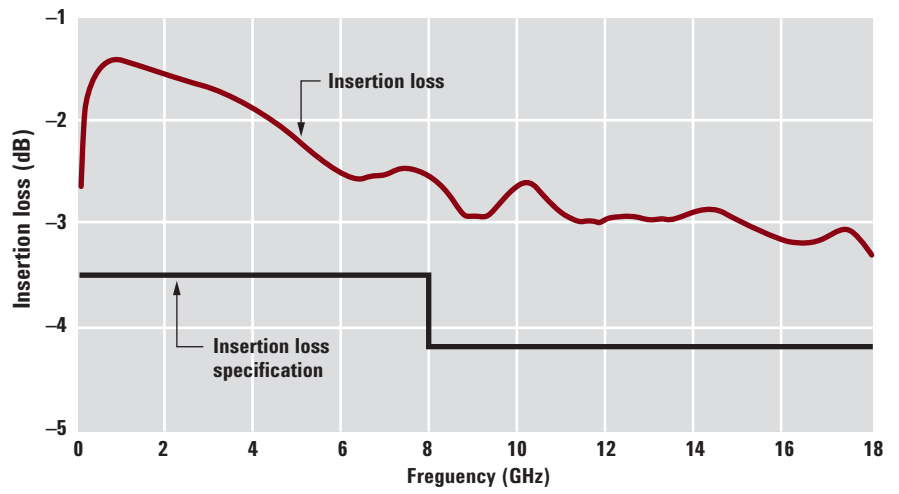


Figure 11. P9400C insertion loss versus frequency (typical)

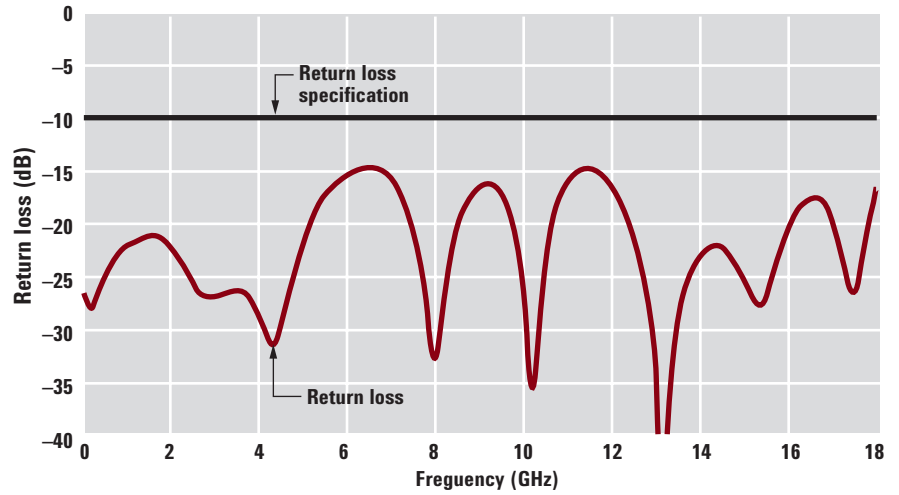


Figure 12. P9400C return loss versus frequency (typical)

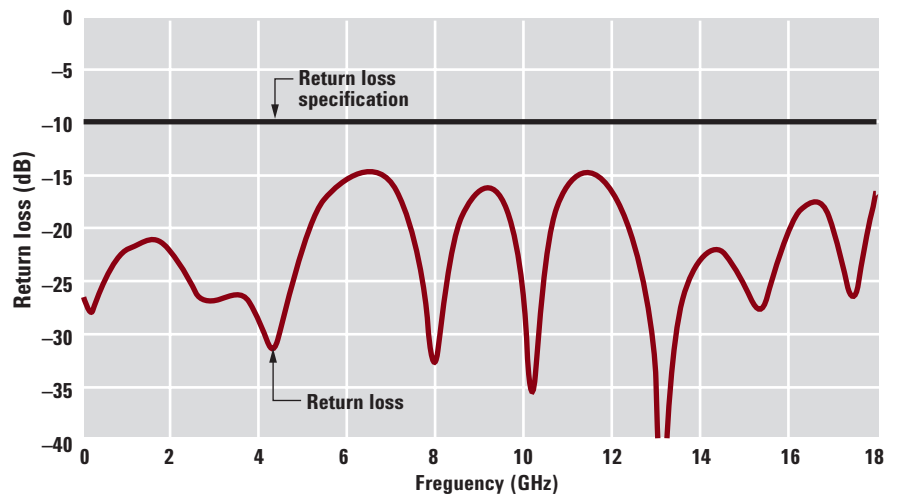


Figure 13. P9400C isolation versus frequency (typical)

Ordering Information

P9400A	8 GHz Solid State PIN Transfer Switch
P9400C	18 GHz Solid State PIN Transfer Switch

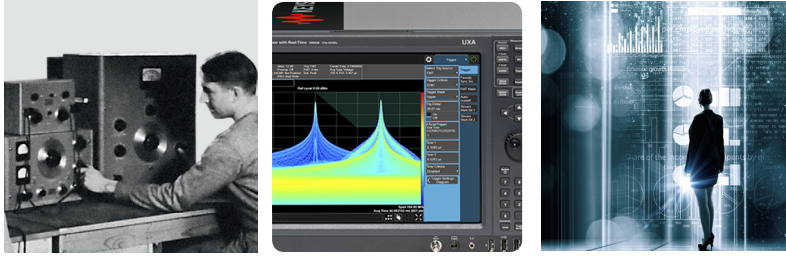
Related Literature

1. *Selecting the right switch technology for your application*, 5989-5189EN
2. *Video Leakage Application Note*, 5989-6086EN

Evolving Since 1939

Our unique combination of hardware, software, services, and people can help you reach your next breakthrough. We are unlocking the future of technology.

From Hewlett-Packard to Agilent to Keysight.



myKeysight

myKeysight

www.keysight.com/find/mykeysight

A personalized view into the information most relevant to you.

http://www.keysight.com/find/emt_product_registration

Register your products to get up-to-date product information and find warranty information.

KEYSIGHT SERVICES

Accelerate Technology Adoption.
Lower costs.

Keysight Services

www.keysight.com/find/service

Keysight Services can help from acquisition to renewal across your instrument's lifecycle. Our comprehensive service offerings—one-stop calibration, repair, asset management, technology refresh, consulting, training and more—helps you improve product quality and lower costs.



Keysight Assurance Plans

www.keysight.com/find/AssurancePlans

Up to ten years of protection and no budgetary surprises to ensure your instruments are operating to specification, so you can rely on accurate measurements.

Keysight Channel Partners

www.keysight.com/find/channelpartners

Get the best of both worlds: Keysight's measurement expertise and product breadth, combined with channel partner convenience.

For more information on Keysight Technologies' products, applications or services, please contact your local Keysight office. The complete list is available at:

www.keysight.com/find/contactus

Americas

Canada	(877) 894 4414
Brazil	55 11 3351 7010
Mexico	001 800 254 2440
United States	(800) 829 4444

Asia Pacific

Australia	1 800 629 485
China	800 810 0189
Hong Kong	800 938 693
India	1 800 11 2626
Japan	0120 (421) 345
Korea	080 769 0800
Malaysia	1 800 888 848
Singapore	1 800 375 8100
Taiwan	0800 047 866
Other AP Countries	(65) 6375 8100

Europe & Middle East

Austria	0800 001122
Belgium	0800 58580
Finland	0800 523252
France	0805 980333
Germany	0800 6270999
Ireland	1800 832700
Israel	1 809 343051
Italy	800 599100
Luxembourg	+32 800 58580
Netherlands	0800 0233200
Russia	8800 5009286
Spain	800 000154
Sweden	0200 882255
Switzerland	0800 805353
	Opt. 1 (DE)
	Opt. 2 (FR)
	Opt. 3 (IT)
United Kingdom	0800 0260637

For other unlisted countries:

www.keysight.com/find/contactus
(BP-9-7-17)

DEKRA Certified
ISO 9001 Quality Management System

www.keysight.com/go/quality

Keysight Technologies, Inc.
DEKRA Certified ISO 9001:2015
Quality Management System



This information is subject to change without notice.

© Keysight Technologies, 2017
Published in USA, December 2, 2017
5989-7215EN
www.keysight.com